

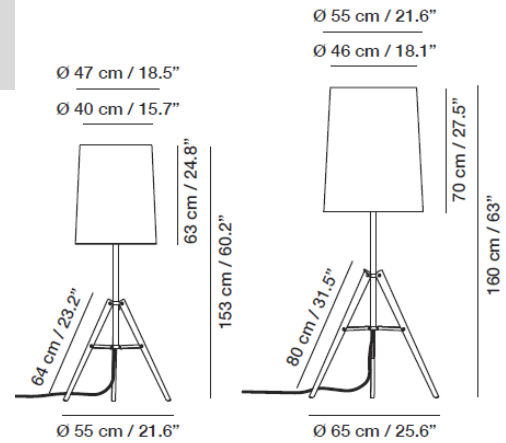


Tripod Floor

Product Name

Tripod Floor Lamp

Dimensions



Light Source

2 x 100W max E26 (medium base) Incandescent or LED/CFL retrofit

Features

- Floor lamp with tripod base
- Natural oak base with satin varnish
- Linen or Saguran shade

Type: _____

Project: _____

Specifier: _____

Notes: _____

