

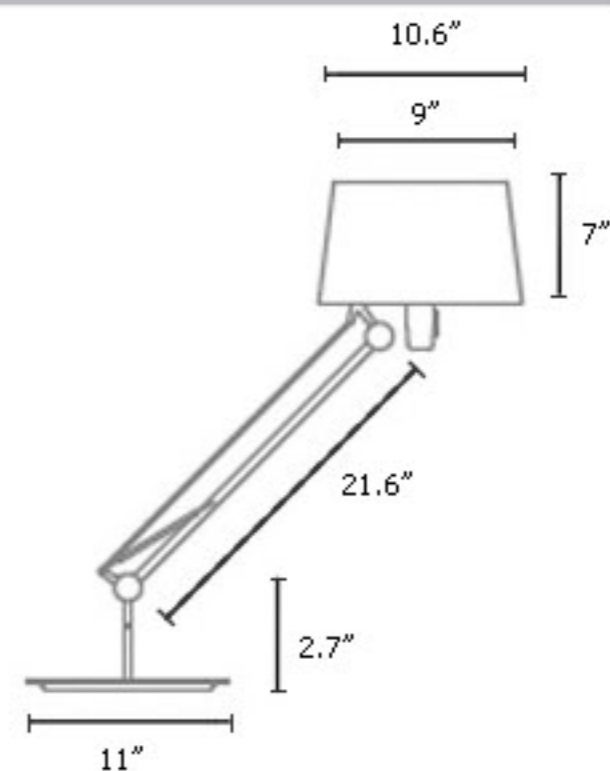


Lektor Table

Product Name

Lektor Table

Dimensions



Light Source

1x100 W max E26 medium base
Incandescent

Finishes

Structure available in White, orange,
stone-grey or moss-green.

Shade material: white polycarbonate

Adjustable table lamp with the on/off
switch located on the lamp holder

Type _____

Project _____

Specifier _____