

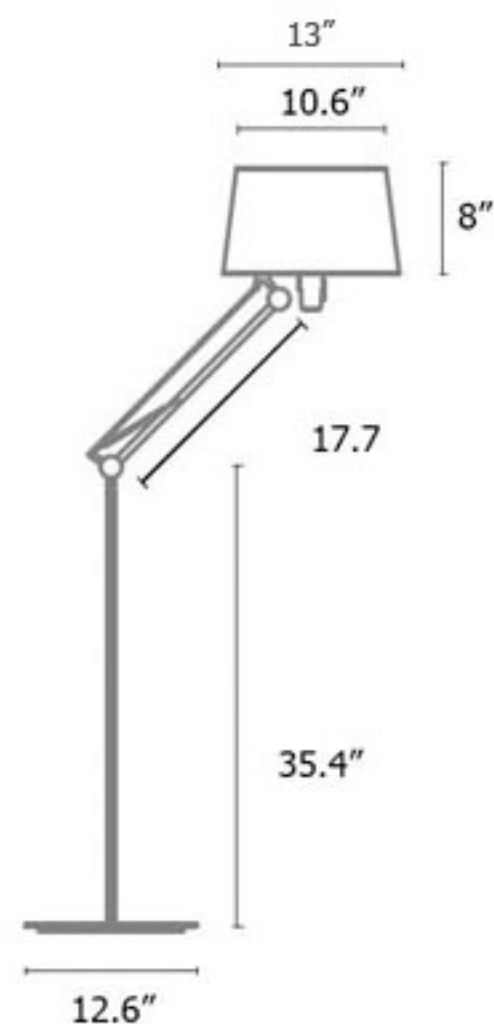


## Lektor Floor

### Product Name

Lektor Floor

### Dimensions



### Light Source

1x100W Max E26 Medium base  
Incandescent

### Finishes

Structure: White, orange, stone-grey or  
moss-green.

Shade material

white polycarbonate.

Adjustable an movable arm. Switch on  
the lampholder.

Type \_\_\_\_\_

Project \_\_\_\_\_

Specifier \_\_\_\_\_